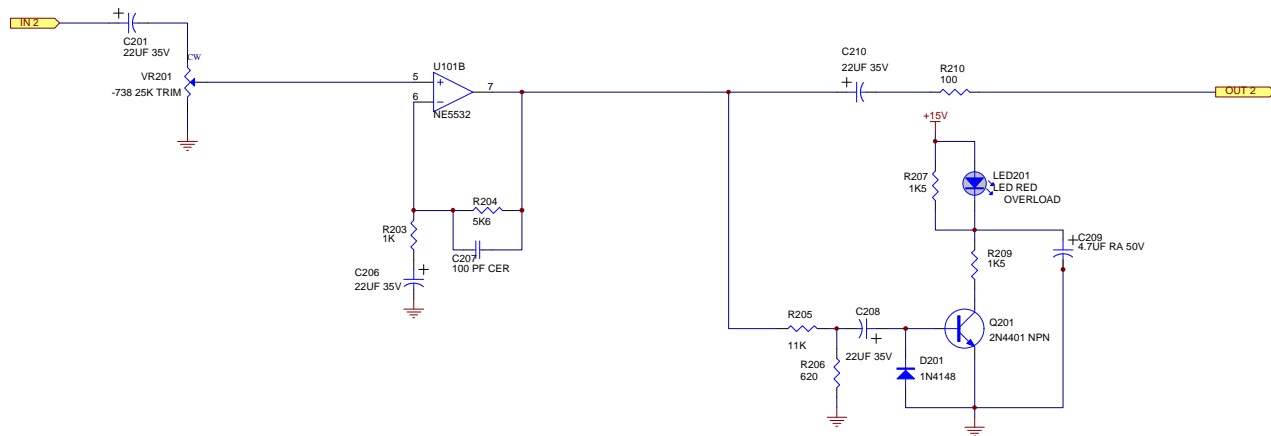


NOTES
 2/24/98 BM- CHANGED JP2 AND JP3 FROM 0 OHM JUMPER TO 2R2 FOR PROTECTION OF REG. TRANSISTORS
 18 March 1998 JM changed values of overload resistors R705 and R708

Furman Sound Inc.		1997 S. McDOWELL BLVD PETALUMA, CA 94954 TEL: (707) 763-1010 FAX: (707) 763-1310	
HDS6			
Doc. No. 1	PCB 343141-2074	Drawn By BM 10/02/97	
Sheet 1 Of 6	LBR 380500-2075	Date Printed 13-Sep-2002	
Rev D 02/10/98 BM	ASY 390500-2076	Time Printed 13:55:56	
File P:\HDS-6\SCHREV.D\HDS6_D.PRJ			

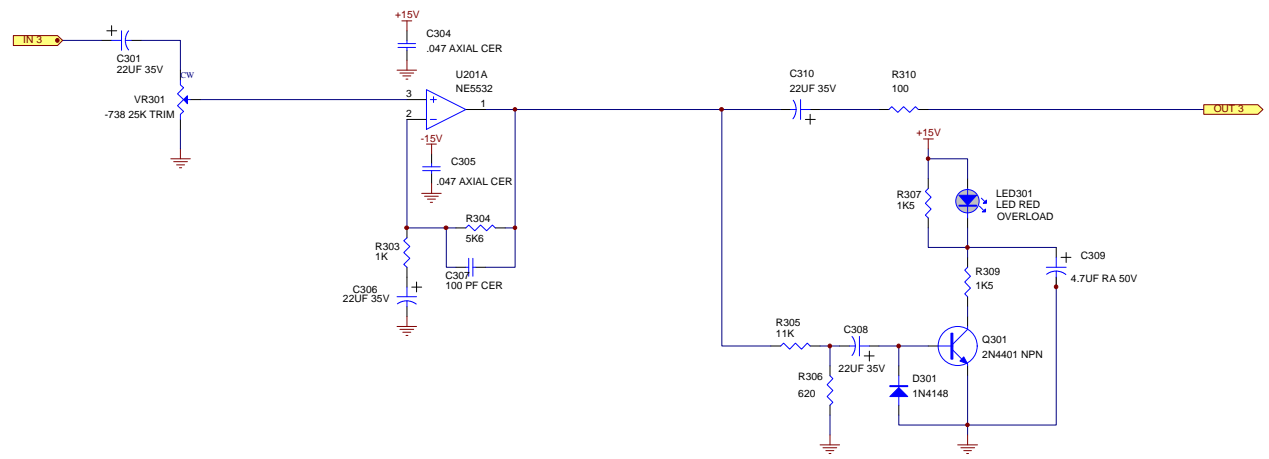
REV	DATE	DESCRIPTION	ECO



REV	DATE	DESCRIPTION	ECO

NOTES	

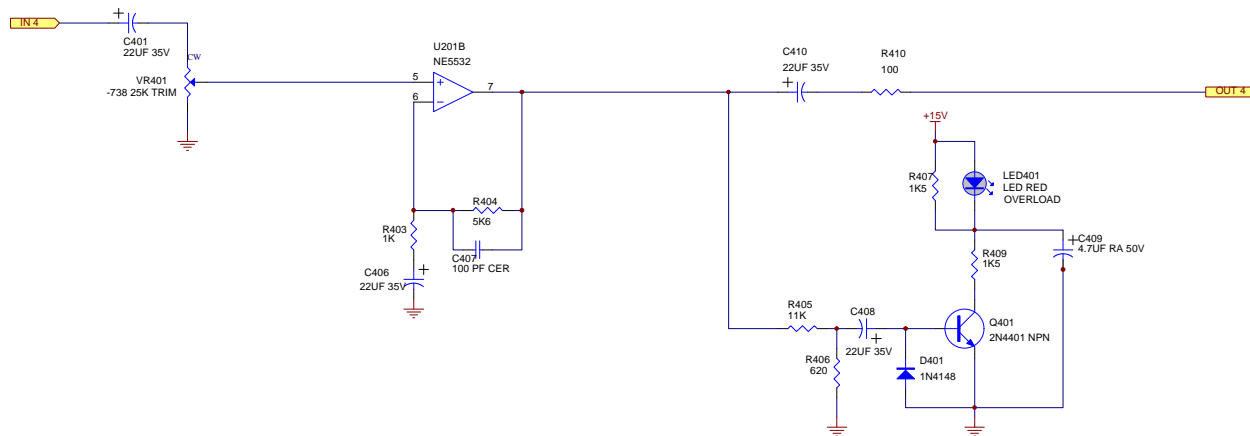
Furman Sound Inc.		1997 S. McDOWELL BLVD PETALUMA, CA 94954 TEL: (707) 763-1010 FAX: (707) 763-1310
HDS6		
Doc. No.	PCB 343141-2074	Drawn By
Sheet 2 Of 6	LBR 380500-2075	Date Printed 13-Sep-2002
Rev D 2/10/98 BM	ASY 390500-2076	Time Printed 13:55:31
File P:\HDS-6\SCHREV_DAMP2_D.SCH		



REV	DATE	DESCRIPTION	ECO

NOTES

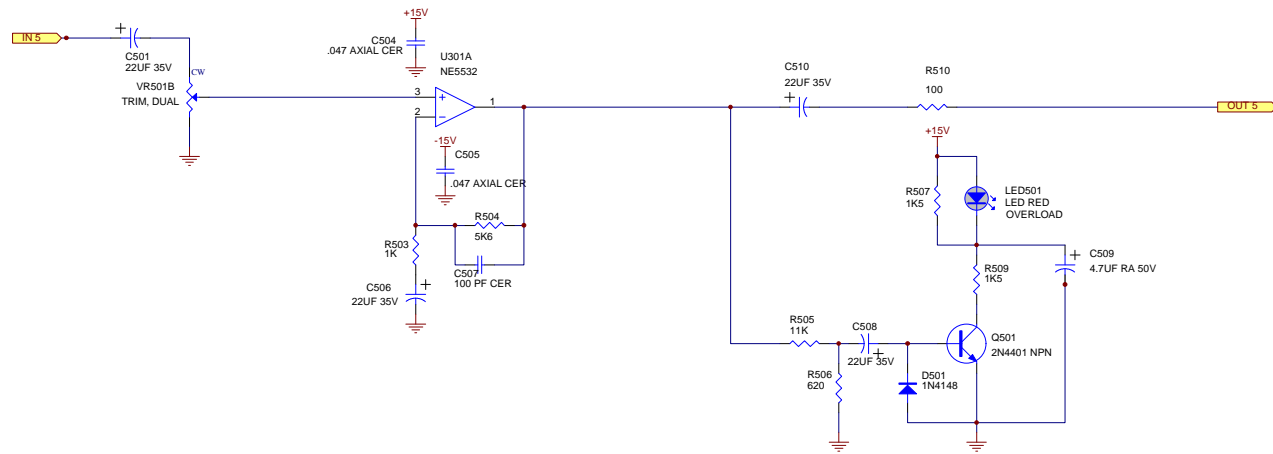
Furman Sound Inc.		1997 S. McDOWELL BLVD PETALUMA, CA 94954 TEL: (707) 763-1010 FAX: (707) 763-1310
HDS6		
Doc. No.	PCB 343141-2074	Drawn By
Sheet 3 Of 6	LBR 380500-2075	Date Printed 13-Sep-2002
Rev D 2/10/98 BM	ASY 390500-2076	Time Printed 13:55:19
File P:\HDS-6\SCH\REV_D\AMP3_D.SCH		



REV	DATE	DESCRIPTION	ECO

NOTES			

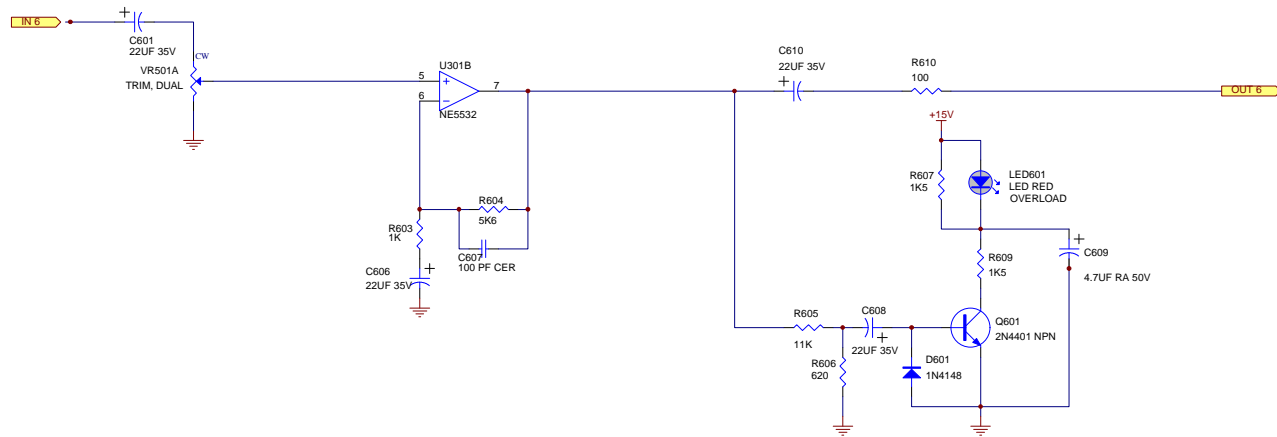
Furman Sound Inc.			1997 S. McDOWELL BLVD PETALUMA, CA 94954 TEL: (707) 763-1010 FAX: (707) 763-1310
HDS6			
Doc. No.	PCB	343141-2074	Drawn By
Sheet 4 Of 6	LBR	380500-2075	Date Printed 13-Sep-2002
Rev D 2/10/98 BM	ASY	390500-2076	Time Printed 13:55:07
File P:\HDS-6\SCHREV_DAMP4_D.SCH			



REV	DATE	DESCRIPTION	ECO

NOTES

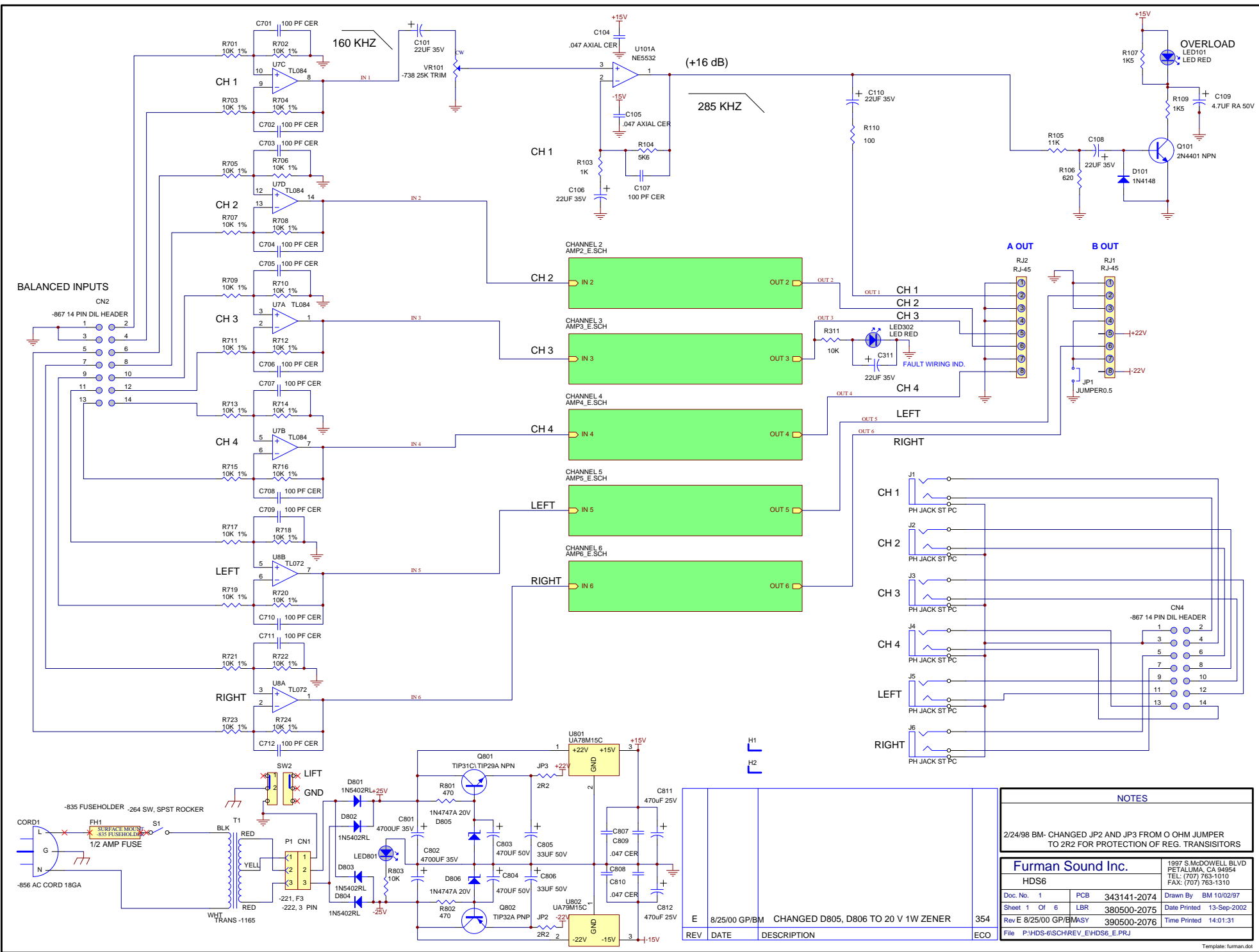
Furman Sound Inc.		1997 S. McDOWELL BLVD PETALUMA, CA 94954 TEL: (707) 763-1010 FAX: (707) 763-1310
HDS6		
Doc. No.	PCB 343141-2074	Drawn By
Sheet 5 Of 6	LBR 380500-2075	Date Printed 13-Sep-2002
Rev D 2/10/98 BM	ASY 390500-2076	Time Printed 13:54:54
File P:\HDS-6\SCHREV_DAMP5_D.SCH		



REV	DATE	DESCRIPTION	ECO

NOTES			

Furman Sound Inc.			1997 S. McDOWELL BLVD PETALUMA, CA 94954 TEL: (707) 763-1010 FAX: (707) 763-1310
HDS6			
Doc. No.	PCB	343141-2074	Drawn By
Sheet 6 Of 6	LR	380500-2075	Date Printed 13-Sep-2002
Rev D 2/10/98 BM	ASY	390500-2076	Time Printed 13:54:41
File P:\HDS-6\SCH\REV_D\AMP6_D.SCH			

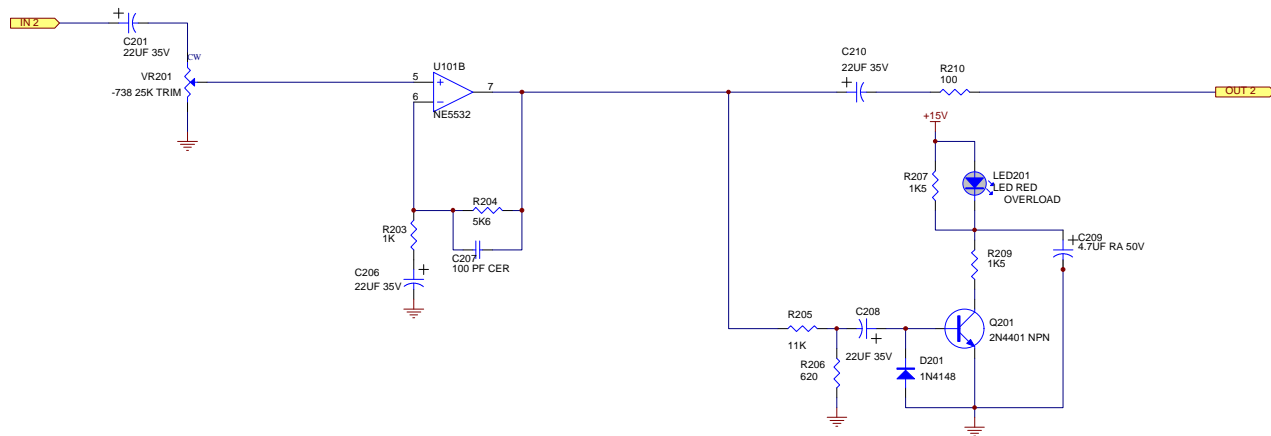


NOTES

2/24/98 BM- CHANGED JP2 AND JP3 FROM 0 OHM JUMPER TO 2R2 FOR PROTECTION OF REG. TRANSISTORS

Furman Sound Inc.		1997 S. McDOWELL BLVD PETALUMA, CA 94954 TEL: (707) 763-1010 FAX: (707) 763-1310	
HDS6			
Doc. No. 1	PCB 343141-2074	Drawn By BM 10/02/97	
Sheet 1 Of 6	LRB 380500-2075	Date Printed 13-Sep-2002	
Rev E 8/25/00 GP/EM/MSY	390500-2076	Time Printed 14:01:31	
File P:\HDS-6\SCHREV_E\HDS6_E.PRJ			

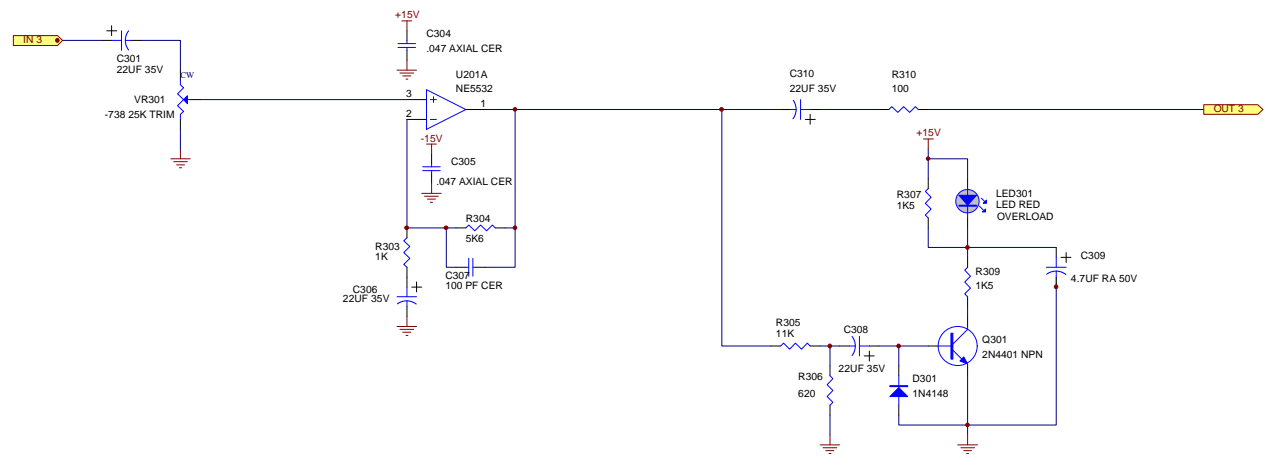
E	8/25/00 GP/BM	CHANGED D805, D806 TO 20 V 1W ZENER	354
REV	DATE	DESCRIPTION	ECO



REV	DATE	DESCRIPTION	ECO

NOTES

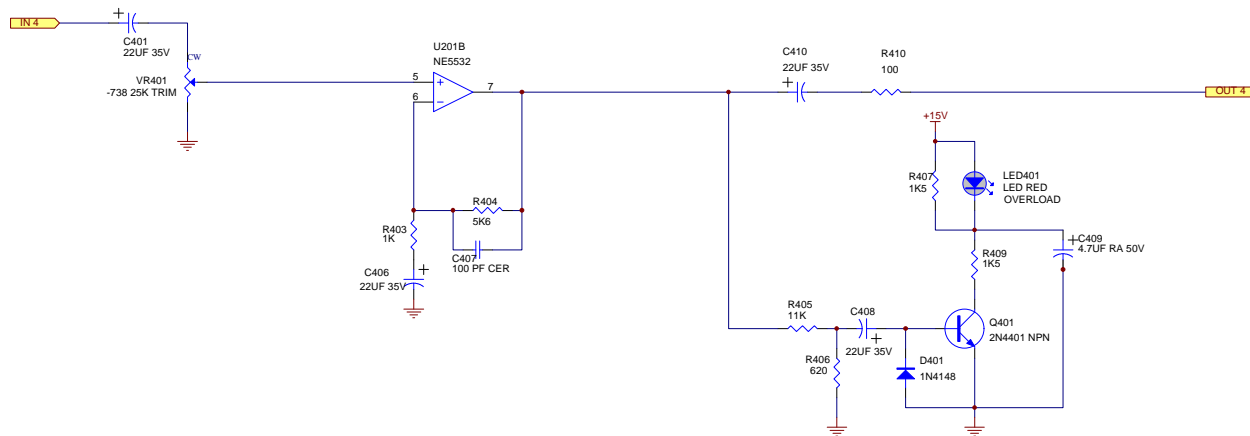
Furman Sound Inc.		1997 S. McDOWELL BLVD PETALUMA, CA 94954 TEL: (707) 763-1010 FAX: (707) 763-1310
HDS6		
Doc. No.	PCB 343141-2074	Drawn By
Sheet 2 Of 6	LBR 380500-2075	Date Printed 13-Sep-2002
Rev E	ASY 390500-2076	Time Printed 14:01:10
File P:\HDS-6\SCHREV_EWAMP2_E.SCH		



REV	DATE	DESCRIPTION	ECO

NOTES

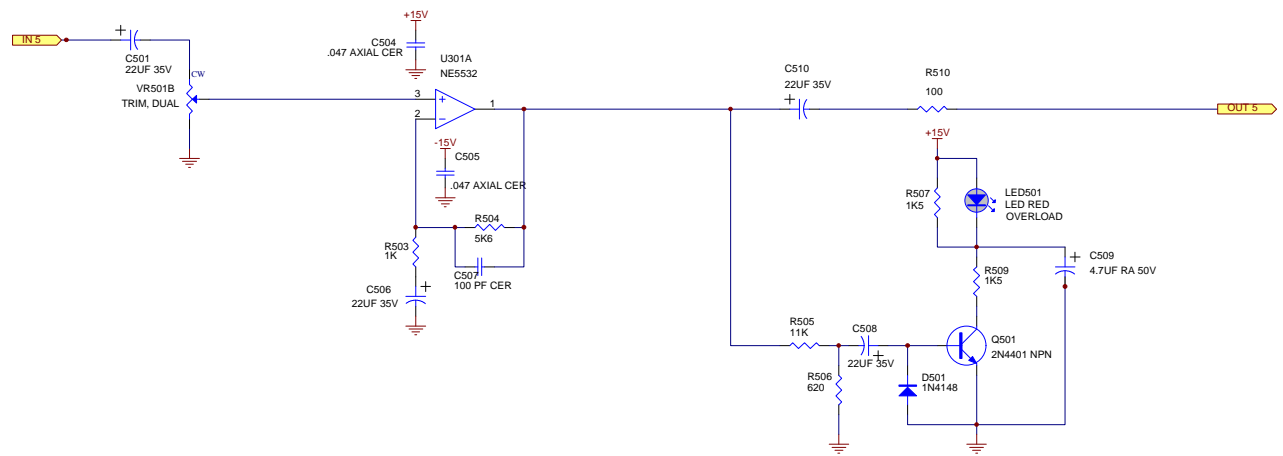
Furman Sound Inc.		1997 S. McDOWELL BLVD PETALUMA, CA 94954 TEL: (707) 763-1010 FAX: (707) 763-1310
HDS6		
Doc. No.	PCB 343141-2074	Drawn By
Sheet 3 Of 6	LBR 380500-2075	Date Printed 13-Sep-2002
Rev E	ASY 390500-2076	Time Printed 14:00:52
File P:\HDS-6\SCHREV_EWAMP3_E.SCH		



REV	DATE	DESCRIPTION	ECO

NOTES			

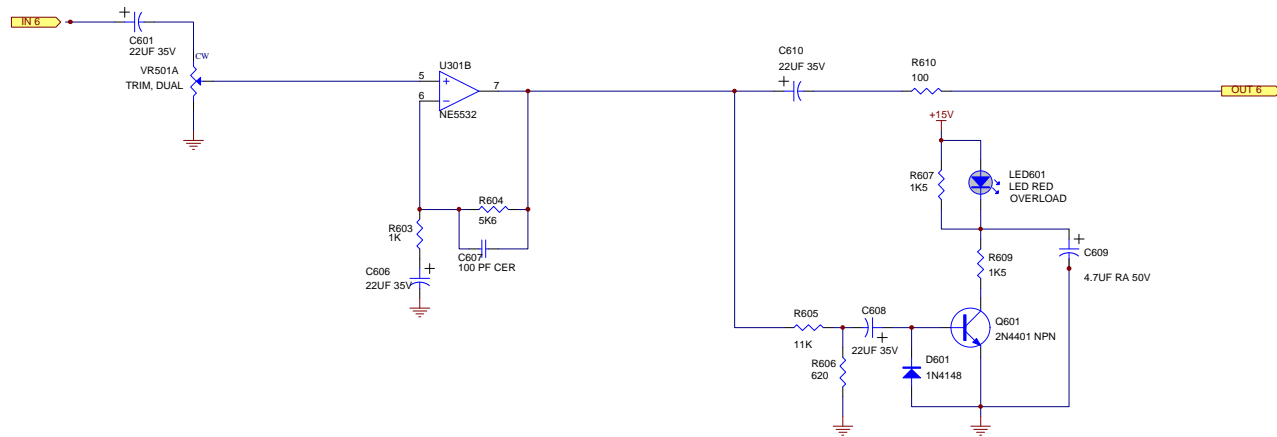
Furman Sound Inc.			1997 S. McDOWELL BLVD PETALUMA, CA 94954 TEL: (707) 763-1010 FAX: (707) 763-1310
HDS6			
Doc. No.	PCB	343141-2074	Drawn By
Sheet 4 Of 6	LBR	380500-2075	Date Printed 13-Sep-2002
Rev E	ASY	390500-2076	Time Printed 14:00:38
File P:\HDS-6\SCHREV_EVAMP4_E.SCH			



REV	DATE	DESCRIPTION	ECO

NOTES

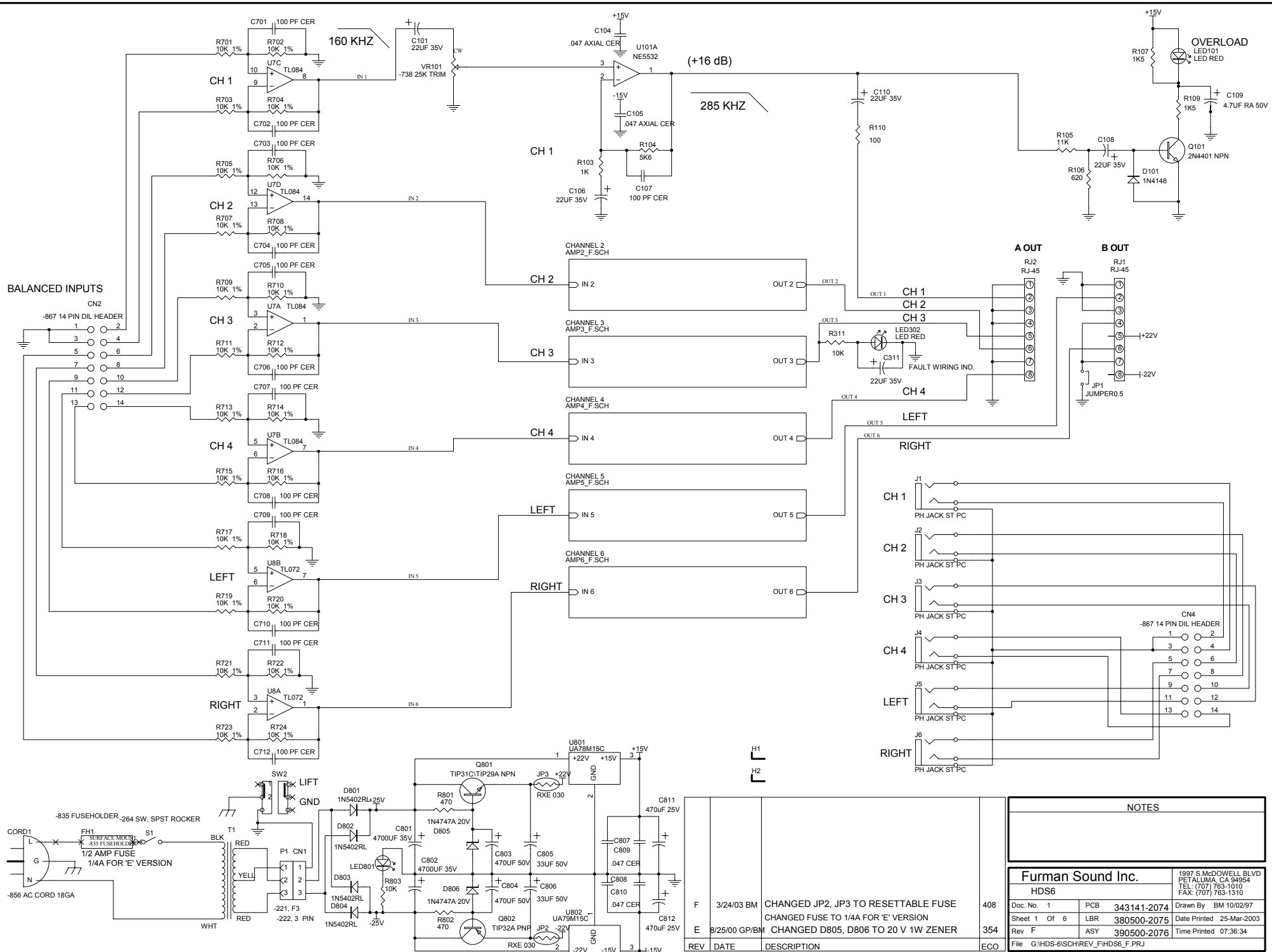
Furman Sound Inc.		1997 S. McDOWELL BLVD PETALUMA, CA 94954 TEL: (707) 763-1010 FAX: (707) 763-1310
HDS6		
Doc. No.	PCB 343141-2074	Drawn By
Sheet 5 Of 6	LBR 380500-2075	Date Printed 13-Sep-2002
Rev E	ASY 390500-2076	Time Printed 14:00:17
File P:\HDS-6SCHREV_EWAMP5_E.SCH		



REV	DATE	DESCRIPTION	ECO

NOTES			

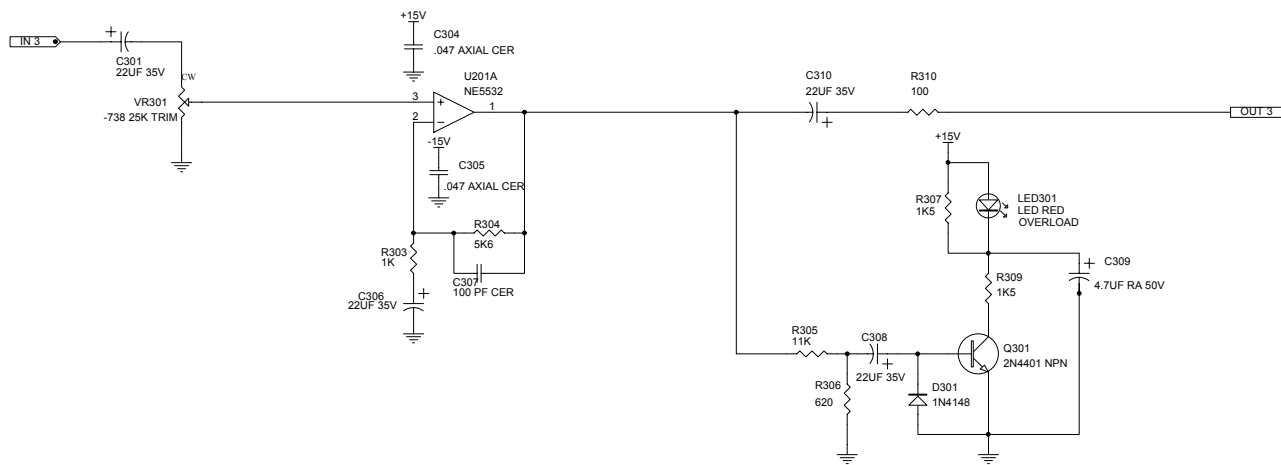
Furman Sound Inc.			1997 S. McDOWELL BLVD PETALUMA, CA 94954 TEL: (707) 763-1010 FAX: (707) 763-1310
HDS6			
Doc. No.	PCB	343141-2074	Drawn By
Sheet 6 Of 6	LBR	380500-2075	Date Printed 13-Sep-2002
Rev E	ASY	390500-2076	Time Printed 13:59:58
File P:\HDS-6\SCHREV_EWAMP6_E.SCH			



NOTES

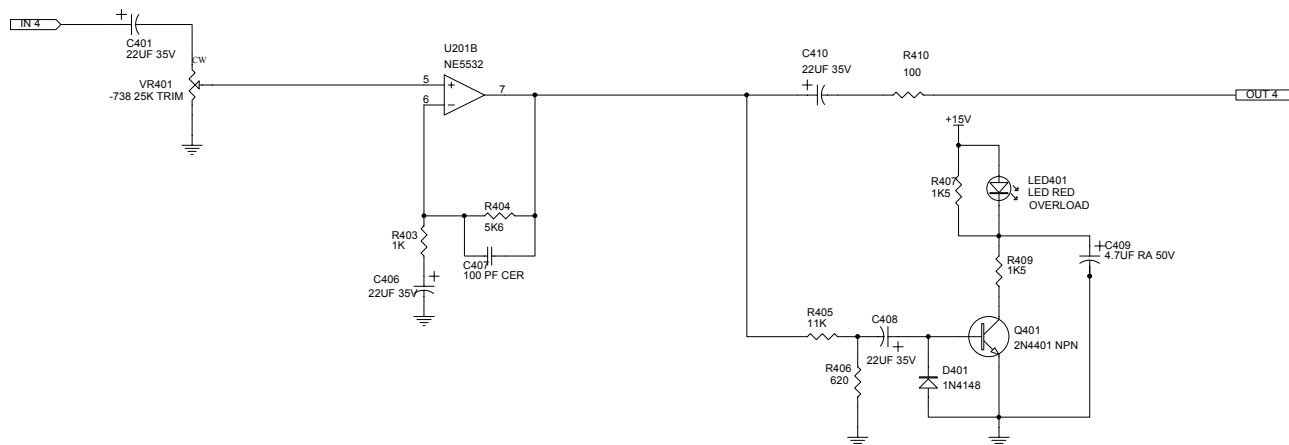
Furman Sound Inc.		1997 S. McDOWELL BLVD PETALUMA, CA 94954	
HDS6		TEL: (707) 763-1010	
Doc. No. 1	PCB 343141-2074	Drawn By BM 10/02/97	
Sheet 1 Of 6	LBR 380500-2075	Date Printed 25-Mar-2003	
Rev F	ASY 390500-2076	Time Printed 07:36:34	
File G:\HDS-6\SCH\REV_F\HDS6_F.PRJ			

REV	DATE	DESCRIPTION	ECO
F	3/24/03 BM	CHANGED JP2, JP3 TO RESETTABLE FUSE	408
E	8/25/00 GP/BM	CHANGED FUSE TO 1/4A FOR 'E' VERSION	354
		CHANGED D805, D806 TO 20 V 1W ZENER	



NOTES			
		Furman Sound Inc.	
		HDS6	
Doc. No.	PCB 343141-2074	Drawn By	
Sheet 3 Of 6	LBR 380500-2075	Date Printed 25-Mar-2003	
Rev F	ASY 390500-2076	Time Printed 07:32:41	
File	G:\HDS-6\SCH\REV_F\AMP3_F.SCH		

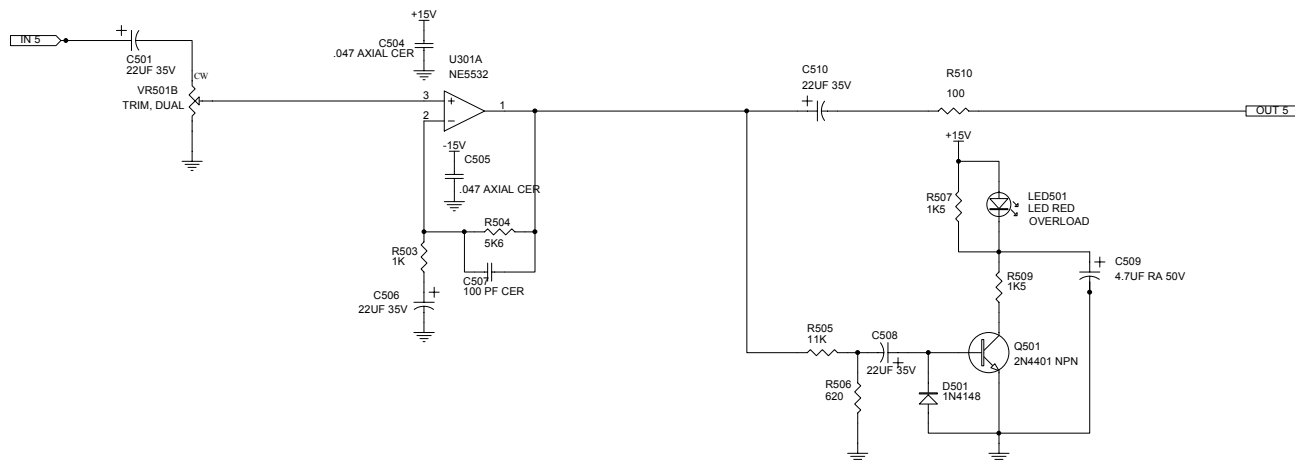
REV	DATE	DESCRIPTION	ECO



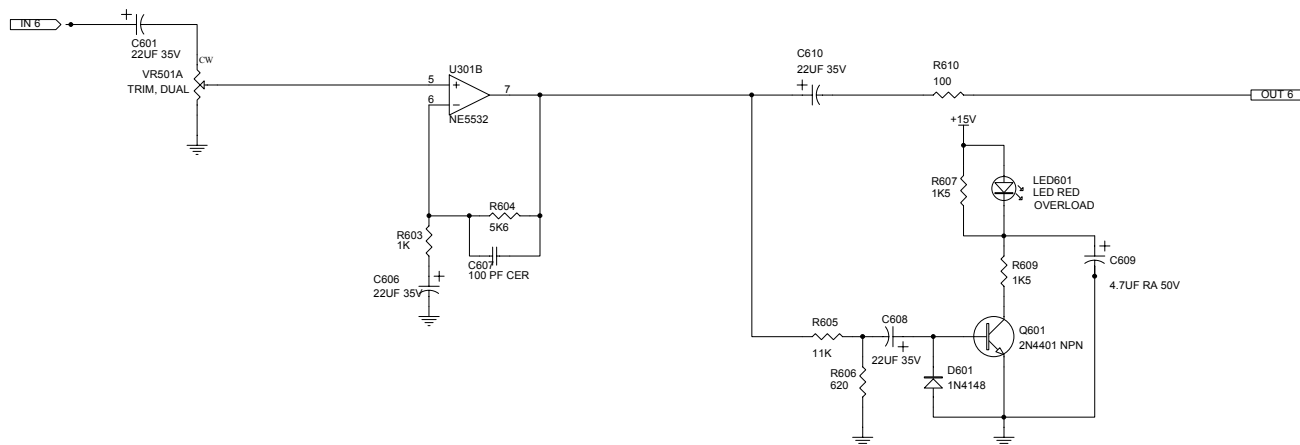
REV	DATE	DESCRIPTION	ECO

NOTES			

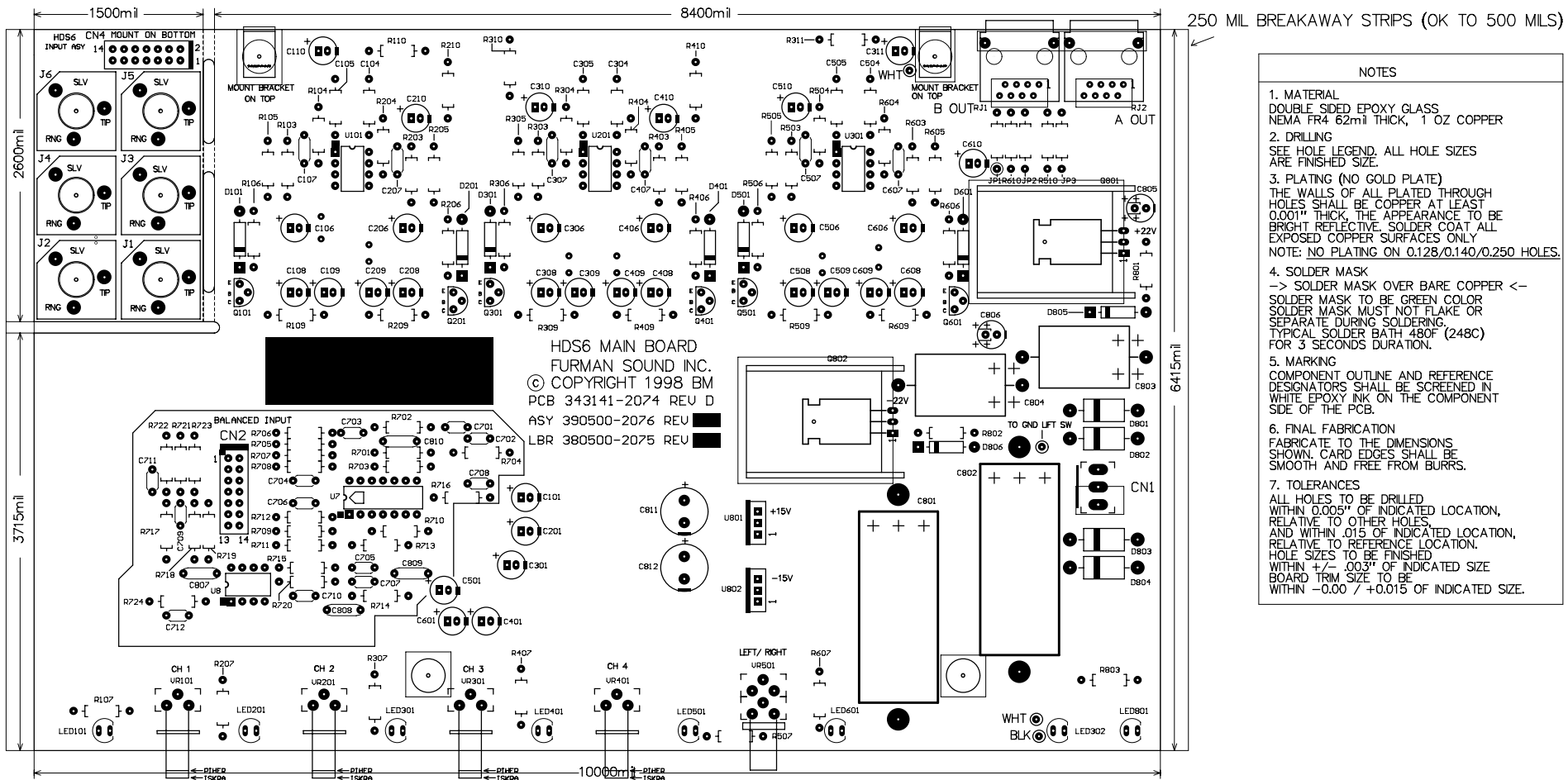
Furman Sound Inc.		1997 S McDOWELL BLVD PETALUMA, CA 94954 TEL: (707) 763-1010 FAX: (707) 763-1310	
Doc. No.	PCB 343141-2074	Drawn By	
Sheet 4 Of 6	LBR 380500-2075	Date Printed 25-Mar-2003	
Rev F	ASY 390500-2076	Time Printed 07:33:08	
File: G:\HDS-6\SCH\REV_F\AMP4_F.SCH			



NOTES			
		Furman Sound Inc.	
		HDS6	
Doc. No.	PCB 343141-2074	Drawn By	
Sheet 5 Of 6	LBR 380500-2075	Date Printed 25-Mar-2003	
Rev F	ASY 390500-2076	Time Printed 07:33:33	
File	G:\HDS-6\SCH\REV_F\AMP5_F.SCH		
REV	DATE	DESCRIPTION	ECO



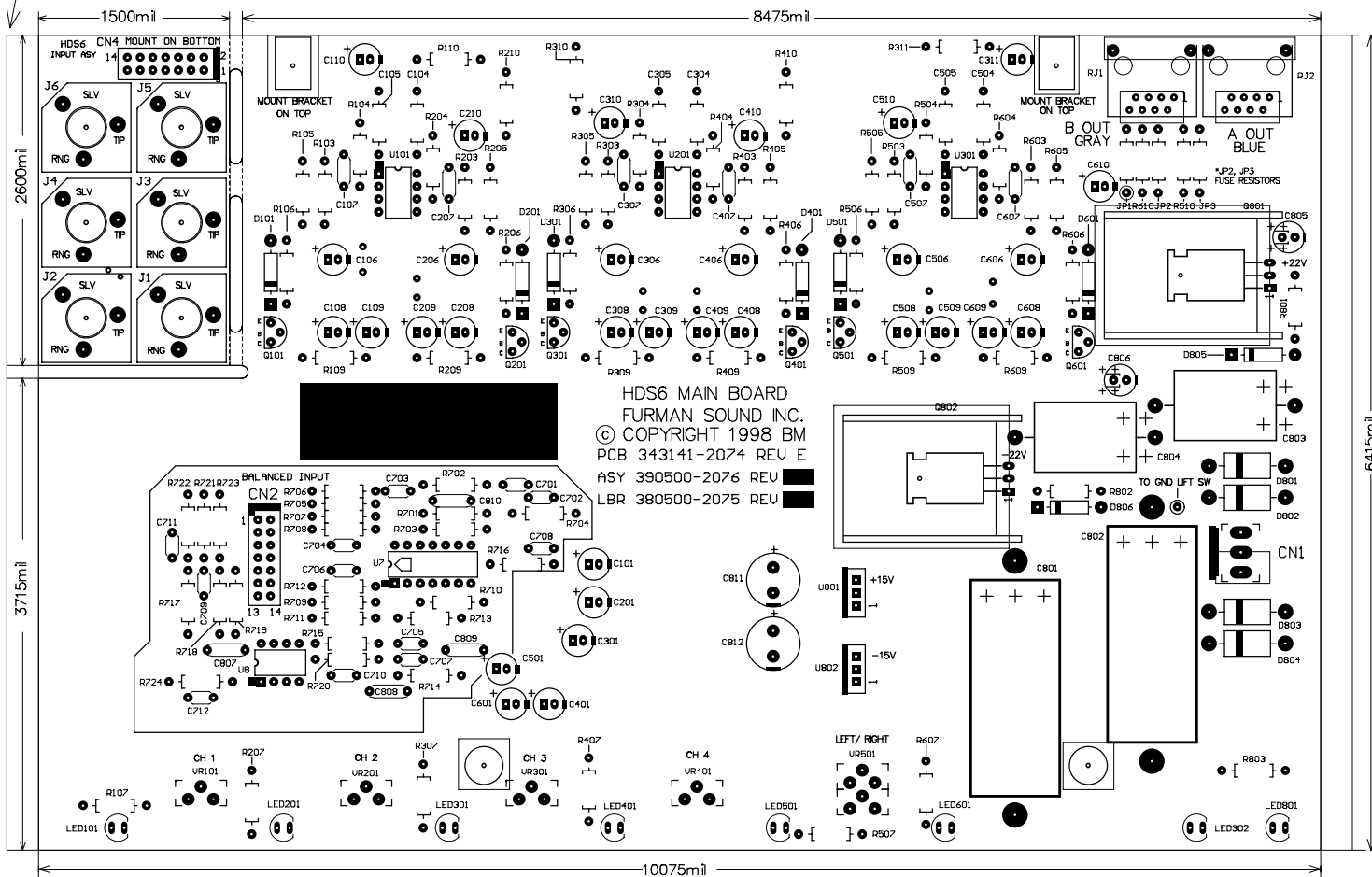
NOTES			
		Furman Sound Inc.	
		1997 S. McDOWELL BLVD PETALUMA, CA 94954 TEL: (707) 763-1010 FAX: (707) 763-1310	
HDS6		Doc. No. PCB 343141-2074	Drawn By
Sheet 6	Of 6	LBR 380500-2075	Date Printed 25-Mar-2003
Rev F		ASY 390500-2076	Time Printed 07:33:59
File	G:\HDS-6\SCH\REV_F\AMP6_F.SCH		
REV	DATE	DESCRIPTION	ECO



THERE IS AN ERROR ON TWO VIA HOLES BETWEEN J1 & J2
 BESK WILL ADD TEAR DROP TO THE PADS TO FIX THE BOARD
 REV E WILL BE CORRECTED. 2/20/98 BM

HDS6 MAIN BOARD		FURMAN SOUND, INC 1997 S.McDOWELL BVD, PETALUMA, CA 94954 TEL: (707) 763-1010 X 39 FAX: (707) 763-1310	
ASY 390500-2076		SHEET 1 OF 1	DRAWN BY: BM
LBR 380500-2075			
PCB 343141-2074	REV D 2/10/98 BM	-HDS6_D NET LISTS	

250 MIL BREAKAWAY STRIPS (OK TO 500 MILS) SCORE 20 MIL DEEP V-GROOVE BOTH SIDES



- NOTES
1. MATERIAL
 DOUBLE SIDED EPOXY GLASS
 NEMA FR4 62mil THICK, 1 OZ COPPER
 2. DRILLING
 SEE HOLE LEGEND. ALL HOLE SIZES
 ARE FINISHED SIZE.
 3. PLATING (NO GOLD PLATE)
 THE WALLS OF ALL PLATED THROUGH
 HOLES SHALL BE COPPER AT LEAST
 0.001" THICK, THE APPEARANCE TO BE
 BRIGHT REFLECTIVE. SOLDER COAT ALL
 EXPOSED COPPER SURFACES ONLY
 NOTE: NO PLATING ON 0.128/0.140/0.250 HOLES.
 4. SOLDER MASK
 -> SOLDER MASK OVER BARE COPPER <-
 SOLDER MASK TO BE GREEN COLOR
 SOLDER MASK MUST NOT FLAKE OR
 SEPARATE DURING SOLDERING.
 TYPICAL SOLDER BATH 480F (248C)
 FOR 3 SECONDS DURATION.
 5. MARKING
 COMPONENT OUTLINE AND REFERENCE
 DESIGNATORS SHALL BE SCREENED IN
 WHITE EPOXY INK ON THE COMPONENT
 SIDE OF THE PCB.
 6. FINAL FABRICATION
 FABRICATE TO THE DIMENSIONS
 SHOWN. CARD EDGES SHALL BE
 SMOOTH AND FREE FROM BURRS.
 7. TOLERANCES
 ALL HOLES TO BE DRILLED
 WITHIN 0.005" OF INDICATED LOCATION,
 RELATIVE TO OTHER HOLES,
 AND WITHIN .015 OF INDICATED LOCATION,
 RELATIVE TO REFERENCE LOCATION.
 HOLE SIZES TO BE FINISHED
 WITHIN +/- .003" OF INDICATED SIZE
 BOARD TRIM SIZE TO BE
 WITHIN -0.00 / +0.015" OF INDICATED SIZE.

REV E = CORRECT VIAS PADS & ADDED TRACE & CHANGED BD SIZE	
HDS6 MAIN BOARD	
FURMAN SOUND, INC 1997 S.McDOWELL BVD, PETALUMA, CA 94954 TEL: (707) 763-1010 FAX: (707) 763-1310	
ASY 390500-2076	SHEET 1 OF 1
LBR 380500-2075	DRAWN BY: BM
PCB 343141-2074	REV E 4/22/98 BM HDS6_D NET