

BOSS SD-1

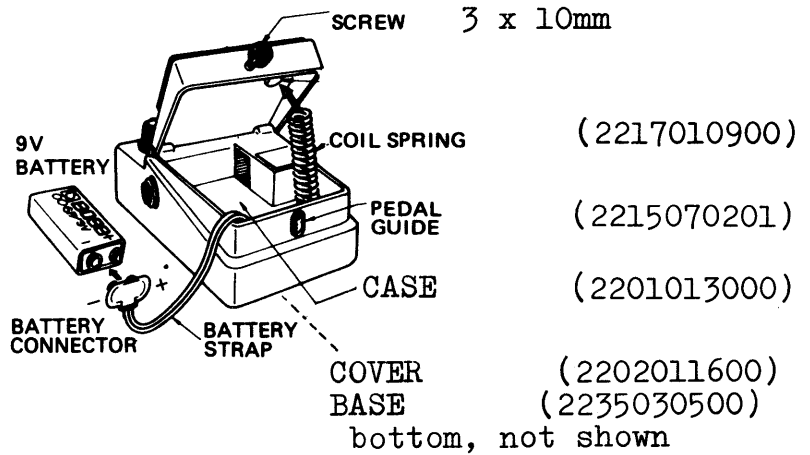
SERVICE NOTES

First Edition

(2nd Printing JAN. 20, 1984 E-2)

SPECIFICATIONS

Power Battery 9V (1) AC Adaptor
 Current Draw..... 4mA at 9V
 Input impedance 470kΩ
 Output load impedance Over 10kΩ
 Dimensions 70(W) × 55(H) × 125(D)mm
 Weight..... 400g

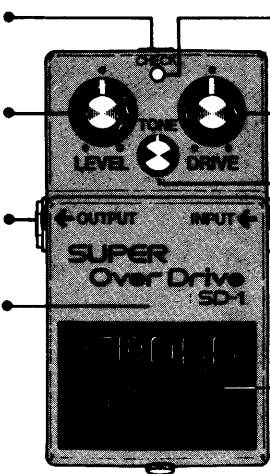


Jack
 HEC-0003 (13449702)
 or
 HEC-0317-1-1 (13449704)
 (detail on parts list)

Pot VM10A15R 10KB
 (13229510)

Jack SG-7622 (13449106)

Pedal (2218051700)



PARTS LIST

Parts are designated in 8-10 digits accompanied by 6 digit number previously used, if have, for cross reference.

N- before abridged part number stands for NEW, and should not be replaced by No. to avoid confusion between two systems.

NEW	OLD	
2201013000	. . .	Case
2218051700	. . .	Pedal
2202011600	065-130	Cover
2234030400	111-031	Base
2235030500	111-032	Base
2215070201	068-026	Guide bushing
2247010500	016-025	Knob TK-1122
2247012500	016-068	Knob TK-1140
2217010900	070-059	Coil spring
2217050200	065-153	Insulating sheet PCB-bottom Cover
2226030500	107-053	Cushion battery, bottom cover

POTENTIOMETER			
13229512	028-452	VM10A15R	1MB
13229510	028-447	VM10A15R	10KB
13229521	. . .	VM10A15R	20KW
13129710	001-295	Switch	JM-0404
13449106	009-012	Jack	SG-7622 OUT
13449104	009-036	Jack	SG-7713 IN
13449702	009-022	Jack	HEC-0003
AC adaptor jack in early unit, or			
13449704	. . .	later unit, HEC-0317-1-1 or	HEC-0749-01010 (same but matted)
both types require dedicated mounting hole in case			

PCB			
7521251003	. . .	ET5212-510A	ass'y
2291042801	. . .	PCB N-428A	

SEMICONDUCTOR			
15189105	020-097	uPC4558C	IC
15091547	018-039	RD11EB-3	zener
15091523	018-075	RD5.1EB-3	zener
15019103	018-014	1S2473	diode
15129108	017-104	2SC945-P	
15129104	017-110	2SC732TM-GR	
15139101	017-014	2SK30ATM-Y	FET
15029117	. . .	SLP-135B	LED

ET5212-510A (7521251003)

WAVEFORM CHECKING

SCOPE: H (EXT. TRIG)

INPUT SIGNAL: 200HZ \square
200mVp-p

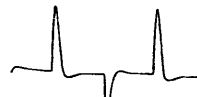
Unless exact 9V supply, waveforms will differ from standard shown below in level and shape.



waveform changes greatly in shape between DRIVE position, counterclockwise-midpoint.

1.2Vp-p

1.2Vp-p



FCCW



FCW



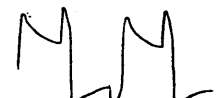
waveform changes are great around midpoint of TONE

0.8Vp-p

1.2Vp-p

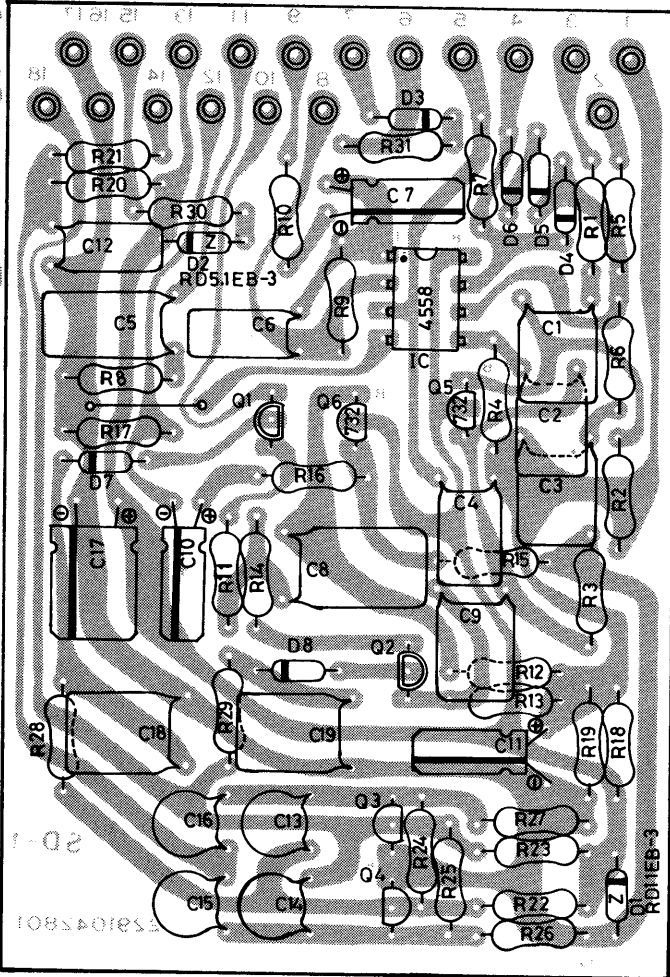


FCCW

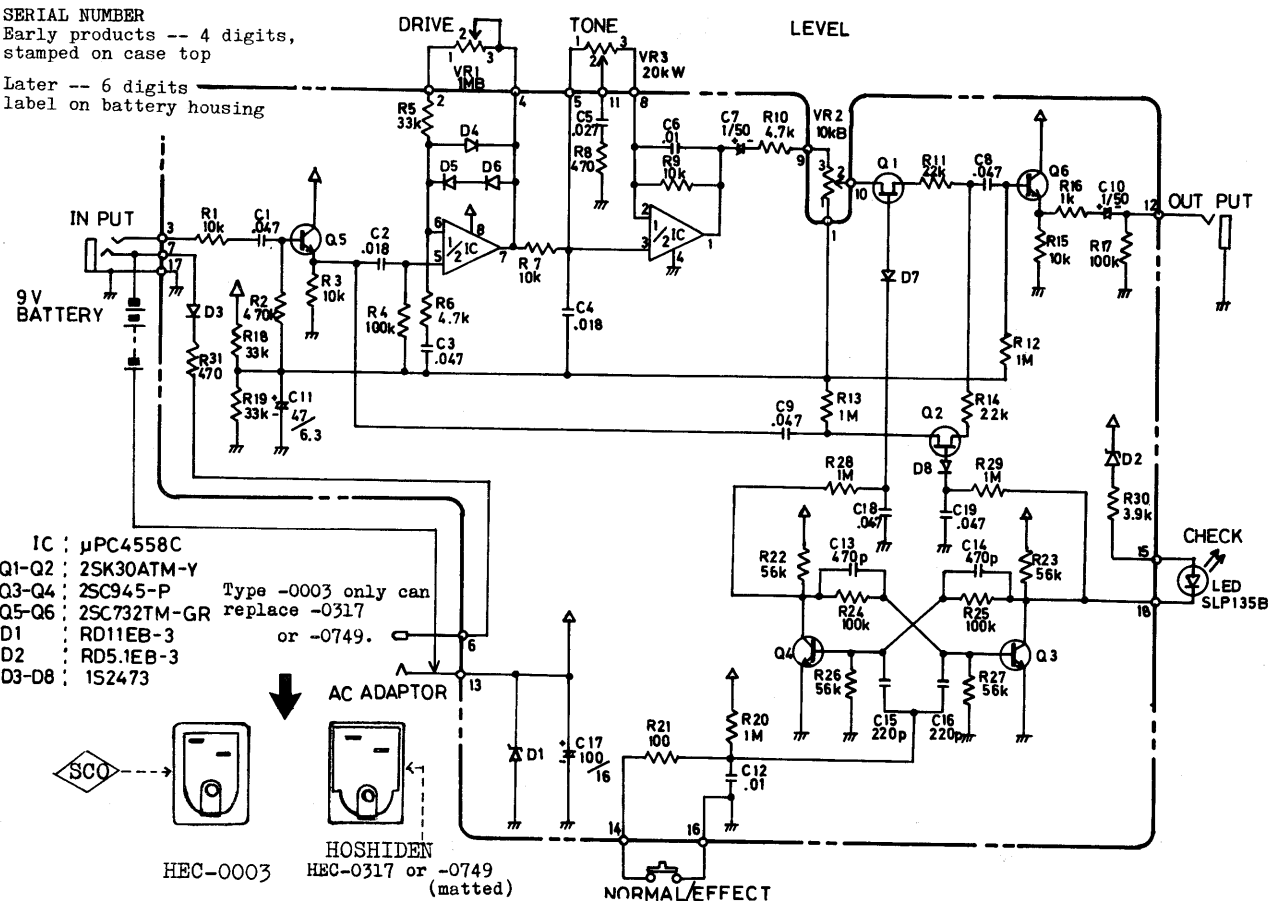


FCW

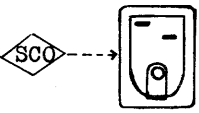
Residual and mechanical shock noises and howling can be produced when once-glued part is left apart after servicing.



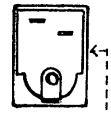
SERIAL NUMBER
Early products -- 4 digits, stamped on case top
Later -- 6 digits label on battery housing



- IC : μ PC4558C
 - Q1-Q2 : 2SK30ATM-Y
 - Q3-Q4 : 2SC945-P
 - Q5-Q6 : 2SC732TM-GR
 - D1 : RD11EB-3
 - D2 : RD5.1EB-3
 - D3-D8 : 1S2473
- Type -0003 only can replace -0317 or -0749.



HEC-0003



HOSHIDEN HEC-0317 or -0749 (matted)

NORMAL/EFFECT