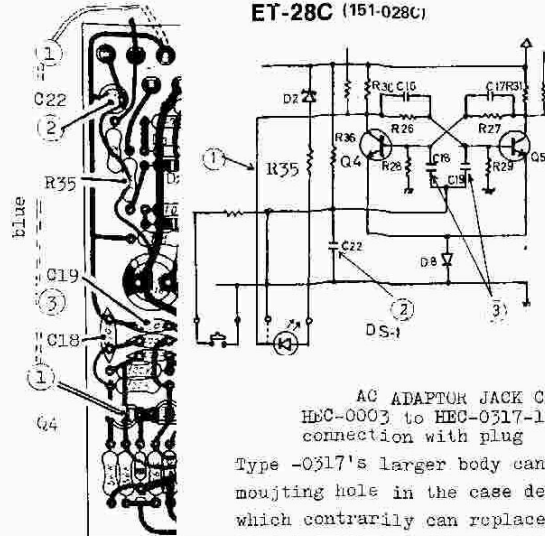


ET-28C (151-028C)



MODIFICATION LED DRIVE CIRCUIT

ET-28 C/D do not keep LED lit in EFFECT mode. The following for modification on LED drive circuit for continuous lighting.

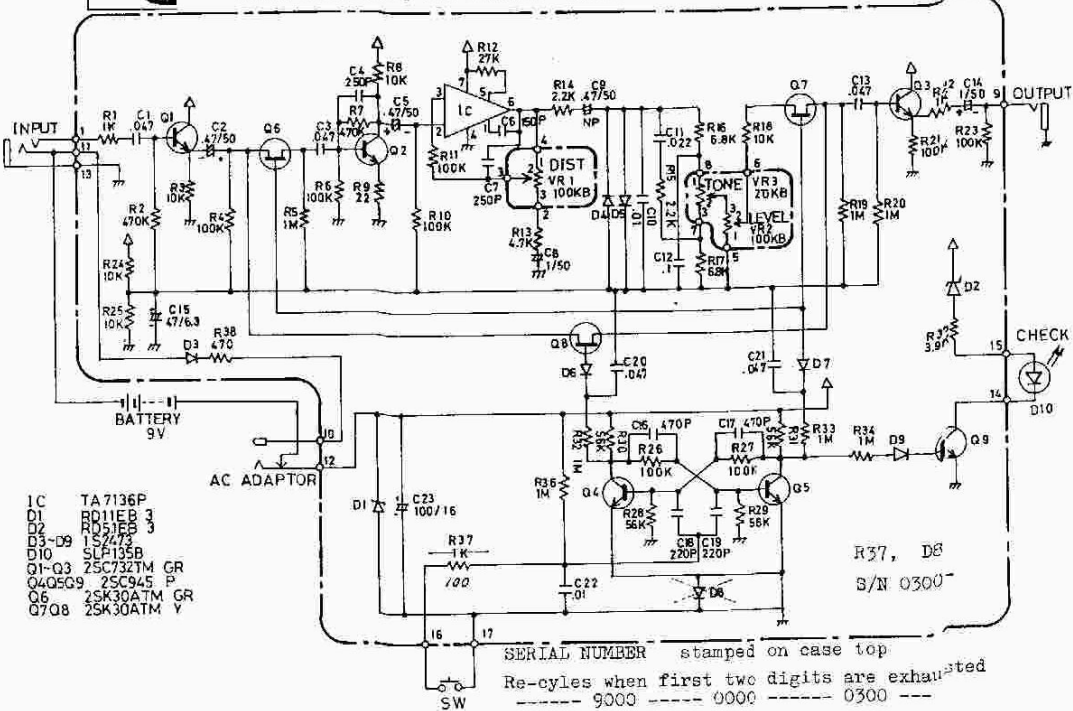
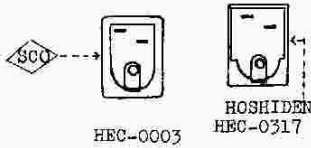
1. Reroute blue lead of LED to Q4 collector.
2. Replace C22, 1/50 or 0.47/50 with 0.01mfd mylar capacitor.
3. Replace C18 and C19, 470pF with

220pF, this will make Flip-flop stable at lower supply voltages (6-7V).

Lower-power-consumption LED SLP-135B is incorporated with later products to cope with a consequent larger current draw. When changing LEDs, change R35 to 3.9k.

AC ADAPTOR JACK CHANGE  
HEC-0003 to HEC-0317-1-1 for positive connection with plug

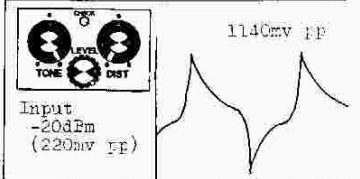
Type -0317's larger body cannot slip into the mounting hole in the case dedicated to -0003 which contrarily can replace -0317.



- IC TA7136P
- D1 RD11EB 3
- D2 RD51EB 3
- D3-09 1S247B
- D10 SLP135B
- Q1-Q3 25C732TM GR
- Q4-Q5G9 25C945 P
- C6 25K30ATM GR
- Q7Q8 25K30ATM Y

SERIAL NUMBER stamped on case top  
Re-cycles when first two digits are exhausted  
--- 9000 --- 0000 --- 0300 ---

OUTPUT WAVEFORMS  
(input signal: 1kHz, sine wave)



ET5205-510A (7520551000)  
(pcb 2291032605 or 052-286E)  
Serial number with 9000

