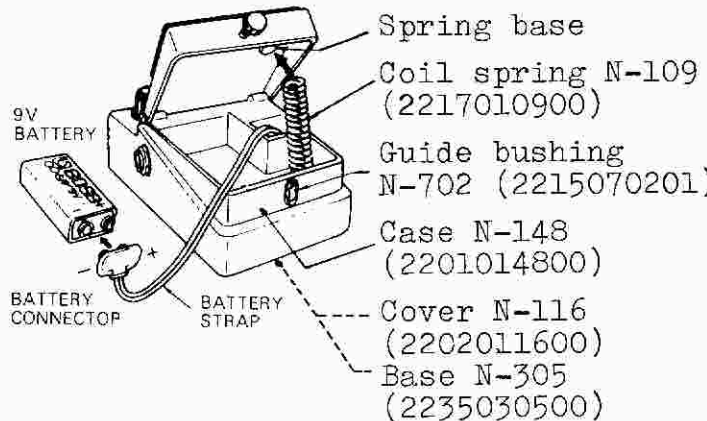


# BOSS CS-2 SERVICE NOTES

First Edition

## SPECIFICATIONS

Power Source..... 9V Battery or AC Adaptor  
 Power Consumption ..... 9V, 4mA  
 Maximum Input Level ..... -10dBm at 1kHz  
 Maximum Output Level ..... -10dBm  
 Compression Range..... 38dB  
 Input Impedance ..... 1 MΩ (FET Input)  
 Output Load Impedance ..... Over 10 kΩ  
 Equivalent Input Noise..... -110dBm (IHF-A)  
 Dimensions ..... 70(W) x 55(H) x 125(D)mm  
 Weight..... 400g



Jack HEC-0749-01-010  
(13449704)

Pot. EVHRA218A54  
(13219505)

Jack SG-7615  
(13449105)

Pedal N-521  
(2218052100)

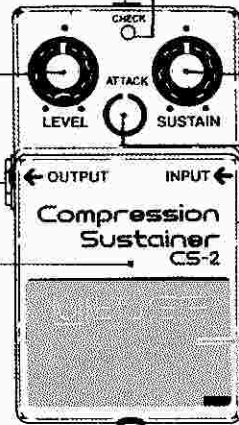
LED SLP135B (15029117)

Knob TK-1122 (2247010500)  
Pot. EVHRA218C16 (13219503)

Knob TK-1140 (2247012500)  
Pot. EVHRA218C05 (13219504)

Jack SG-7713#4 (13449104)

Base N-304 (2235030400)



Decoration screw 3 x 10mm

## PARTS LIST

2201014800	Case	N-148	cobalt blue	PCB	
2218052100	Pedal	N-521	cobalt blue	7521951000	Assy ET5219-510
2202011600	Cover	N-116	bottom		(pcb 2291051400)
2235030400	Base	N-304	pedal matt		
2235030500	Base	N-305	bottom		
2215070201	Guide bushing	N-702			
2247010500	Knob	TK-1122			
2247012500	Knob	TK-1140		13219503	EVHRA218C16 1MC
2226030500	Cushion	N-305		13219504	EVHRA218C05 150kC
2216050200	Spacer	N-502	pcb	13219505	EVHRA218A54 50kA
2217010900	Coil spring	N-109			

### POTENTIOMETER

### SEMICONDUCTOR

<b>JACK</b>		15229802	BA662A	IC
13449704	HEC-0749-01-010	15139101	2SK30ATM-Y	FET
13449105	SG-7615	15129104	2SC732TM-GR	transistor
13449104	SG-7713#4	15129116	2SC1815 -BL	transistor
<b>SWITCH</b>		15029117	SLP135B	LED
13129710	JM-0404	15019523	RD5.1EB3	zener
		15019209T0	S5500G	diode
		15019103	1S2473	diode

# ET5219-510 (7521951000) (pcb 2291051400)

OUTPUT WAVEFORMS (LEVEL CONT. @ max.)

ATTACK	SUSTAIN	INPUT SIG sine(dBm)	OUTPUT SIG (dBm)
max	max	1kHz	-50 approx. -12
			-40 approx. -8.5
	min	approx. -33	
min	max	100Hz	0 approx. -8 slight distortion
			-4.5 Fig. 1
			-10.5 Fig. 2

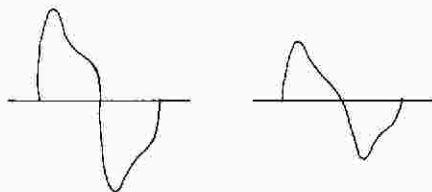
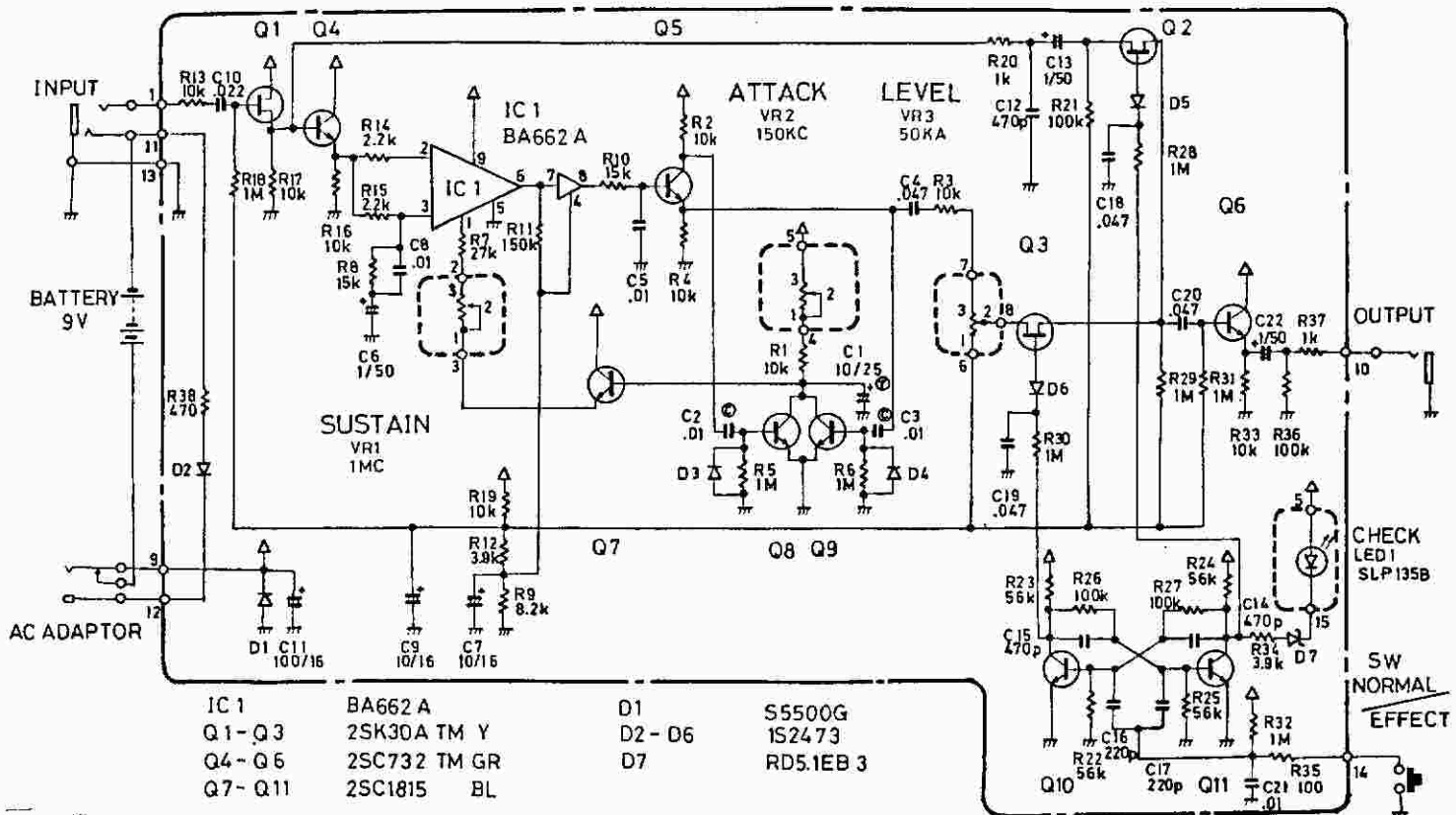
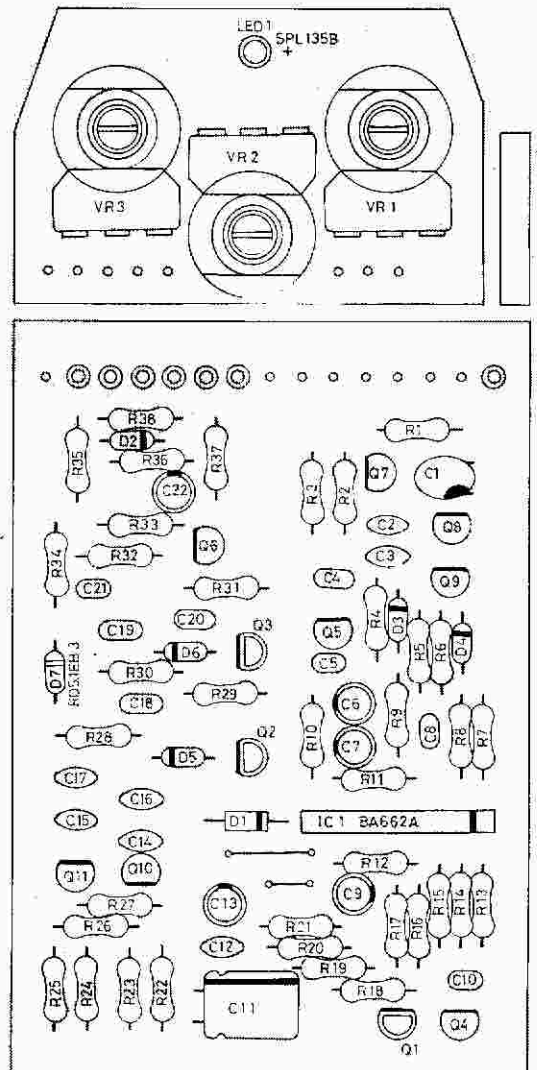


Fig. 1

Fig. 2

- |  |        |              |  |                   |
|--|--------|--------------|--|-------------------|
|  | Q1-Q3  | 2SK30A TM Y  |  | tantalum cap.     |
|  | Q4-Q6  | 2SC732 TM GR |  | electrolytic cap. |
|  | Q7-Q11 | 2SC1815 BL   |  | ceramic disc cap. |
|  | D1     | S5500G       |  | mylar film cap.   |
|  | D2-D6  | 1S2473       |  | resistor          |
|  | D7     | RD5.1EB 3    |  |                   |



- |          |              |         |           |
|----------|--------------|---------|-----------|
| IC 1     | BA662 A      | D1 - D6 | S5500G    |
| Q1 - Q3  | 2SK30A TM Y  | D7      | 1S2473    |
| Q4 - Q6  | 2SC732 TM GR |         | RD5.1EB 3 |
| Q7 - Q11 | 2SC1815 BL   |         |           |