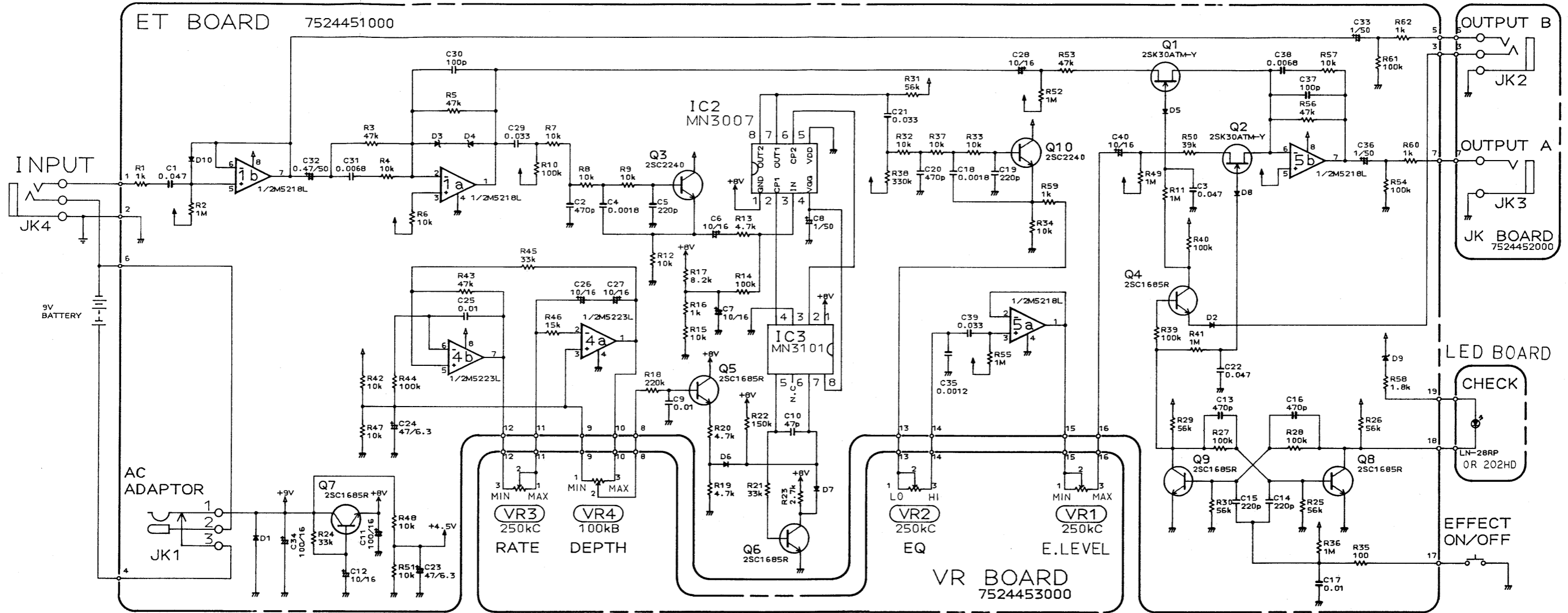


1 2 3 4 5 6 7 8 9 10 11 12 13 14 15 16 17 18 19 20 21 22 23 24 25 26 27 28 29 30 31 32 33 34 35 36 37 38 39 40

# CIRCUIT BOARD



|         |     |     |       |
|---------|-----|-----|-------|
| Voltage | +9V | +8V | +4.5V |
| Symbol  | ↑   | ↑   | ↑     |

- IC1: 5:M5218L
- IC2: MN3007
- IC3: MN3101
- IC4: M5223L
- Q1, 2: 2SK30ATM-Y
- Q3, 10: 2SC2240
- Q4, 5, 6, 7, 8, 9: 2SC1685R or 2SC945
- D1: 1N4004 or S5500G
- D2, 5, 6, 7, 8, 10: 1N4148 or 1S2473
- D3, 4: RD3.0EB1
- D9: RD5.6EB3

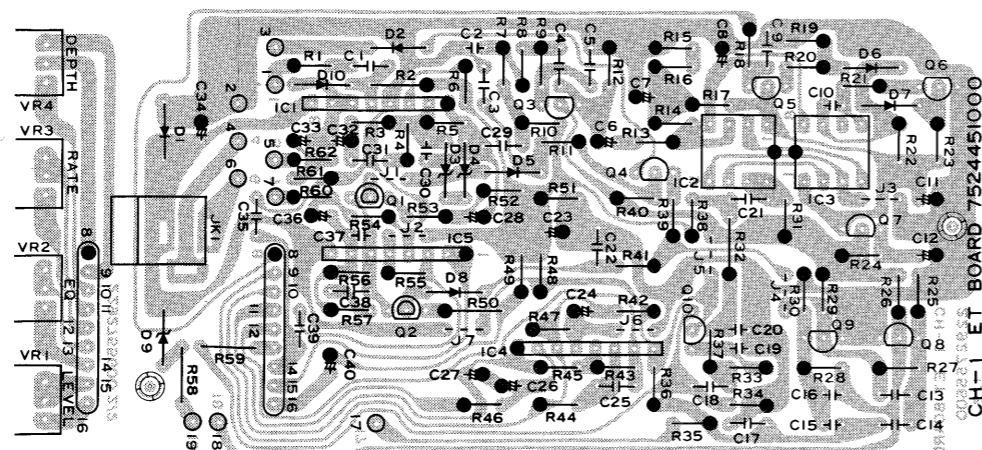
## ET BOARD

ASSY 7524451000  
(pcb 22920556RT)

REPLACEMENT ET Board includes VR Board.  
補修用基板は、VR基板を含みます。

## ET BOARD

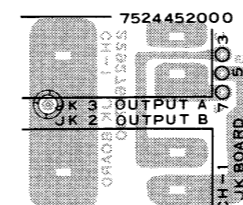
## VR BOARD →



View from components side

## JK BOARD

ASSY 7524452000  
(pcb 22920687RT)



View from components side