



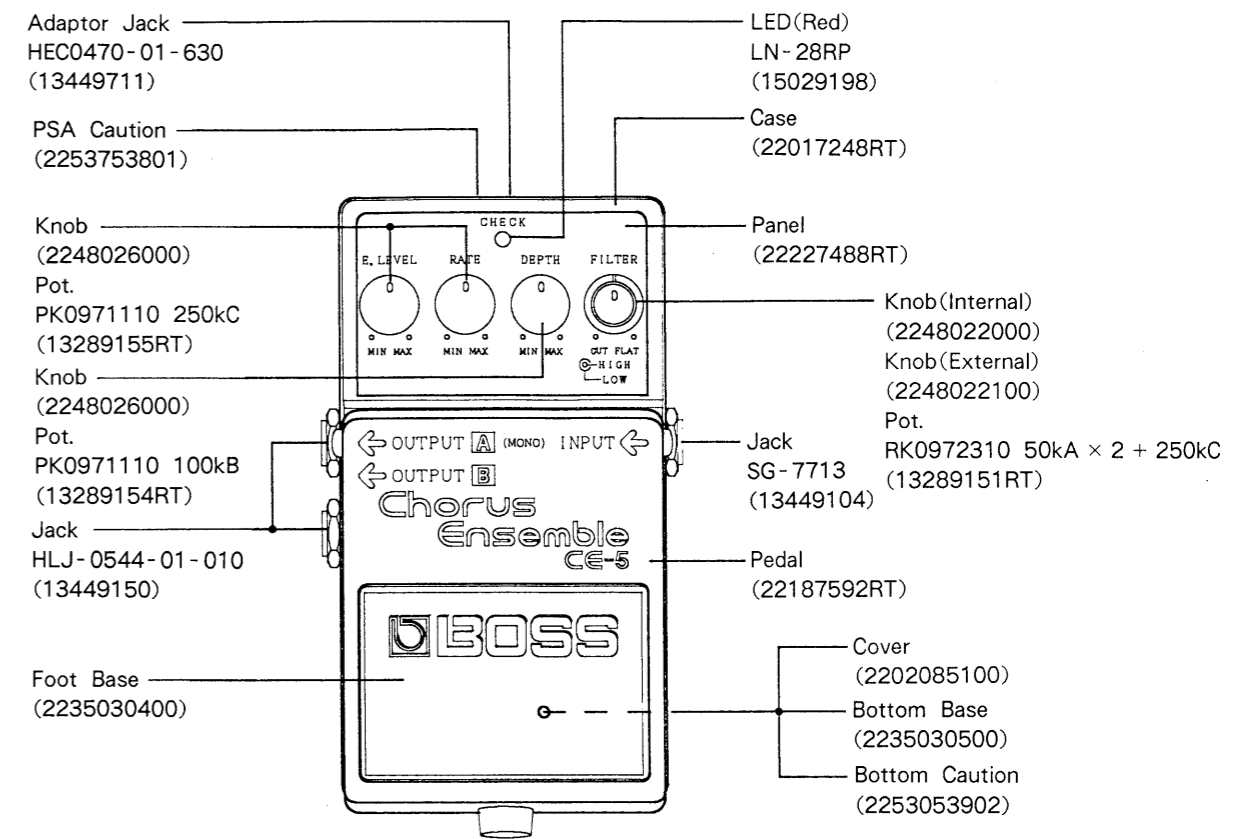
# SERVICE NOTES

First Edition

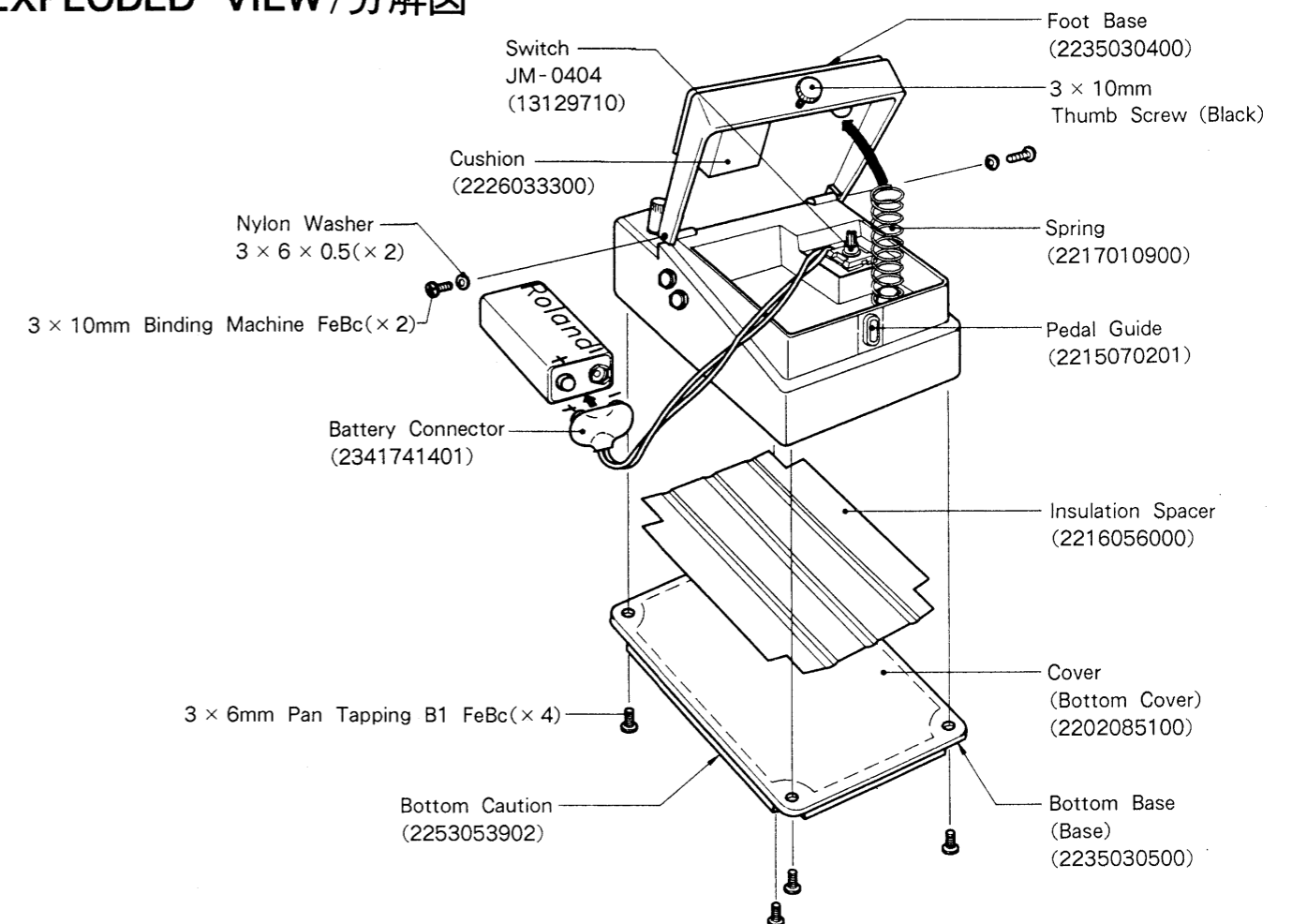
## SPECIFICATIONS

- Input Impedance ..... : 1MΩ
- Output Impedance ..... : 1kΩ
- Recommended Load Impedance ..... : 10kΩ or greater
- Residual Noise ..... : -93dBm or Less (IHF-A) (Filter Control knob : center)  
0dBm = 0.775V
- Controls ..... : Pedal Switch, Effect Level, Modulation Rate, Modulation Depth, High Filter, Low Filter
- Indicator ..... : Check Indicator (serves also as battery check indicator)
- Jacks ..... : Input, Output A (MONO) / B, AC Adaptor
- Power Supply ..... : DC9V : Dry Battery (9V type),  
AC Adaptor (PSA-Series : option)
- Current Draw ..... : 18mA (DC9V)
- Dimensions ..... : 70(W) x 125(D) x 55(H)mm  
2-3/4" (W) x 4-15/16" (D) x 2-3/16" (H) inches
- Weight ..... : 410g / 0.9 lbs (including battery)
- Accessories ..... : Owner's Manual (English) : PNo.26047767RT  
Owner's Manual (Japanese) : PNo.26047766RT  
Dry Battery S-006P (9V) : PNo.12569103RT
- Options ..... : AC Adaptor ; PSA-100, PSA-120, PSA-220, PSA-240  
Dry Battery 6AM6/9V (alkaline)

## PANEL / パネル図



## EXPLODED VIEW / 分解図



PARTS LIST/パーツリスト

MT BOARD  
Assy 7528052000  
(pcb 22937234RT 1/2)

**NOTE**  
Replacement MT Board Assy includes VR Board Assy.

**注意**  
補修用MT Board AssyはVR Board AssyとLED Board AssyとJK Board B Assyを含みます。

**SAFETY PRECAUTIONS:**

The parts marked Δ have safety-related characteristics. Use only listed parts for replacement.

安全上の注意:

Δが付いている部品は、安全上特別な規格でつくられたものです。交換の際は、指定された部品番号以外の部品は使わないようして下さい。

**CONSIDERATIONS ON PARTS ORDERING**

When ordering any parts listed in the parts list, please specify the following items in the order sheet.

Ex.	QTY	PART NUMBER	DESCRIPTION	MODEL NUMBER
	10	22575241	Sharp key	C-20/50
	15	2247017300	Knob (orange)	DAC-15D

Failure to completely fill the above items with correct number and description will result in delayed or even undelivered replacement.

パーツ発注に関するお願い

オーダーシートには、必ず下記の4項目は正確に記入して下さい。(例外は除く)

必要数	パーツナンバー	品名	使用機種
例) 10	22575241	Sharp key	C-20/50
15	2247017300	Knob (orange)	DAC-15D

もし記入漏れ、誤記等有る場合、必要部品が発送できなかったり、大損な遅れの原因になります。御協力をお願いします。

**CASING/ケース**

22017248RT	Case
22227488RT	Panel
2202085100	Cover
2235030500	Bottom Base
22187592RT	Pedal
2235030400	Foot Base

**DIODE/ダイオード**

15019209T0	S5500G	
15019125	1SS-133	
15019507	RD3.0EB1	Zener
15019526	RD5.6EB3	Zener
15029198	LN-28RP	LED (Red)

**KNOB, BUTTON/ツマミ, ボタン**

2248026000	Knob	DEPTH, RATE, E.LEVEL
2248022000	Knob (Internal)	FILTER-HIGH
2248022100	Knob (External)	FILTER-LOW

**POTENTIOMETER/ボリューム**

13289151RT	RK0972310	50kA × 2 + 250kC	FILTER-LOW/HIGH
13289155RT	RK0971110	250kC	RATE, E.LEVEL
13289154RT	RK0971110	100kC	DEPTH

**SWITCH/スイッチ**

13129710	JM-0404	Push Switch
----------	---------	-------------

**WIRING, CABLE/ワイヤリング, ケーブル**

23477381RT	Flat Cable	12p
------------	------------	-----

**JACK, SOCKET/ジャック, ソケット**

13449711	HEC0470-01-630	Adaptor Jack
13449104	SG-7713 #5	INPUT
13449150	HLJ-0544-01-010	OUTPUT A/B

**BATTERY/電池**

12569103RT	S-006P	Dry Battery (9V)
------------	--------	------------------

**PCB ASSY/基板完成品**

7528052000	MT Board Assy (pcb 22937234RT 1/2)
<b>NOTE:</b> Replacement MT Board Assy includes VR Board Assy.	
注意: 補修用MT Board AssyはVR Board Assyを含みます。	
VR Board Assy (pcb 22937234RT 2/2)	
7528054000	JK Board Assy (pcb 2292768700)
7528055000	LED Board Assy (pcb 2291049600)

**SCREW/ネジ類**

*****	3 × 10mm Thumb Screw (Black)
*****	3 × 6mm Pan Tapping B1 FeBC
*****	3 × 10mm Binding Machine FeBC
*****	Nylon Washer 3 × 6 × 0.5
*****	3 × 6mm Binding Tapping B1 FeCm

**MISCELLANEOUS/その他**

2215070201	Pedal Guide	
2226033300	Cushion	
2217010900	Spring	
2341741401	Battery Connector	
2216056000	Insulation Spacer	Clear large type
2253053902	Bottom Caution	
2253753801	PSA Caution	

**IC**

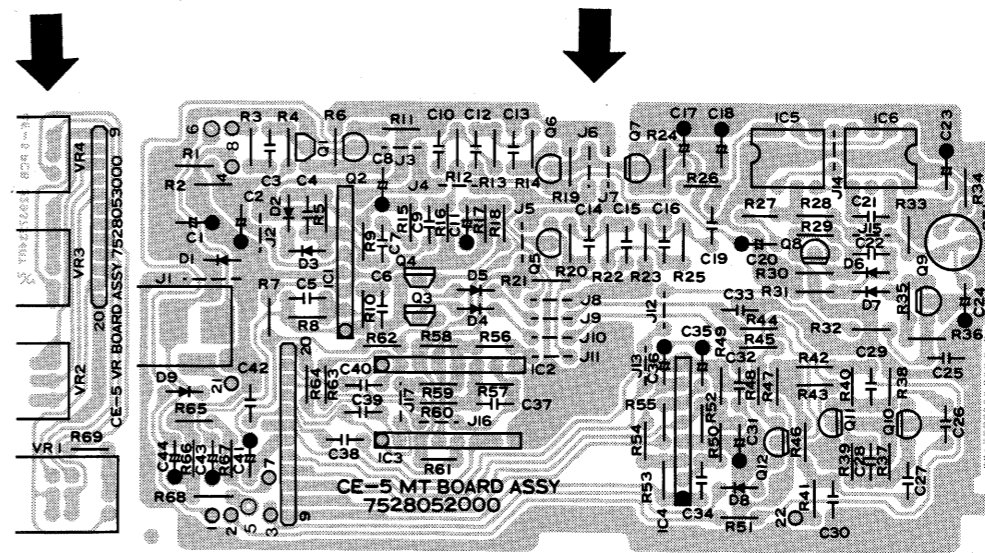
15219205	MN3007	BBD	IC5
15169504	MN3101	BBD Driver	IC6
15189250	M5218AL	OP Amp	IC1, 2, 3
15189185	M5223L	OP Amp	IC4

**TRANSISTOR/トランジスタ**

15129186	2SC3378GR	
or 15129120	2SC2240GR	
15129185	2SC2458GR	
15139131	2SK184GR	FET
or 15139106	2SK117GR	
151391160Y	2SK118Y	FET

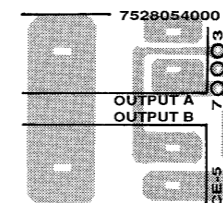
VR Board  
(pcb 22937234RT 2/2)

MT Board  
(pcb 22937234RT 1/2)



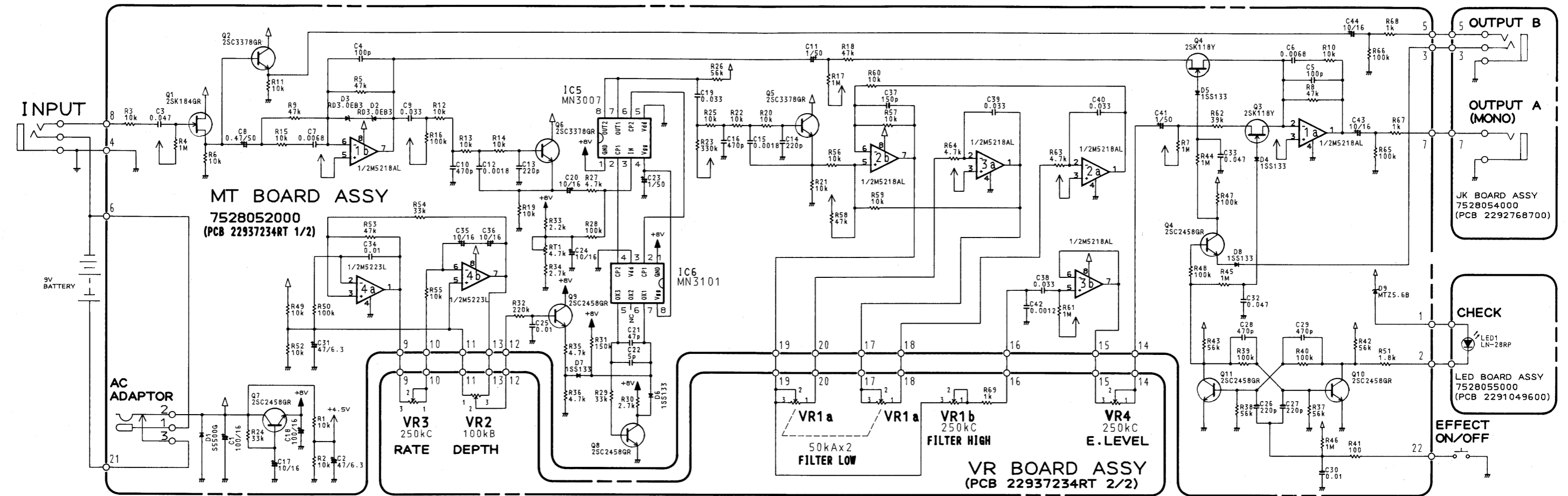
View from component side.

JK BOARD  
Assy 7528054000  
(pcb 2292768700)



View from component side.

CIRCUIT DIAGRAM/回路図



A  
B  
C  
D  
E  
F  
G  
H  
I  
J  
K  
L  
M  
N  
O  
P  
Q  
R  
S  
T  
U  
V


1 2 3 4 5 6 7 8 9 10 11 12 13 14 15 16 17 18 19 20 21 22 23 24 25 26 27 28 29 30 31 32 33 34 35 36 37 38 39 40

### ADJUSTMENT

### 調整仕様

1. Feed the signal to INPUT of the CE-5.
2. Connect the scope to OUTPUT A of the CE-5.
3. Plug into the OUTPUT B.
4. Push pedal for EFFECT ON.
5. Set the controls and adjust RT1 on MT Board for the waveform as shown below.

1. INPUTにオーディオ発振器を接続します。
2. OUTPUT Aにオシロスコープを接続します。
3. OUTPUT Bにプラグを差し込みます。
4. ペダルを押してエフェクト オンにします。
5. セットアップして下図のような波形になるようにRT1を調整します。

INPUT	SET CONTROLS	OUTPUT A
 <p>1 kHz -7 dBm</p>	